

Brass and Stainless Steel Thermowell

⚙️ Description:

The machined stainless steel and brass thermowells are designed for mounting temperature sensors in pipes and tanks. The thermowells are designed to reduce the stress encountered in a flowing fluid installation which produces a constantly oscillating force that can eventually crack a probe unless mounted within one of these wells. The wells are designed to handle the stress, while providing good thermal contact with fluid. They also provide isolation, if the sensor needs to be serviced the system can remain in operation without having to drain the lines

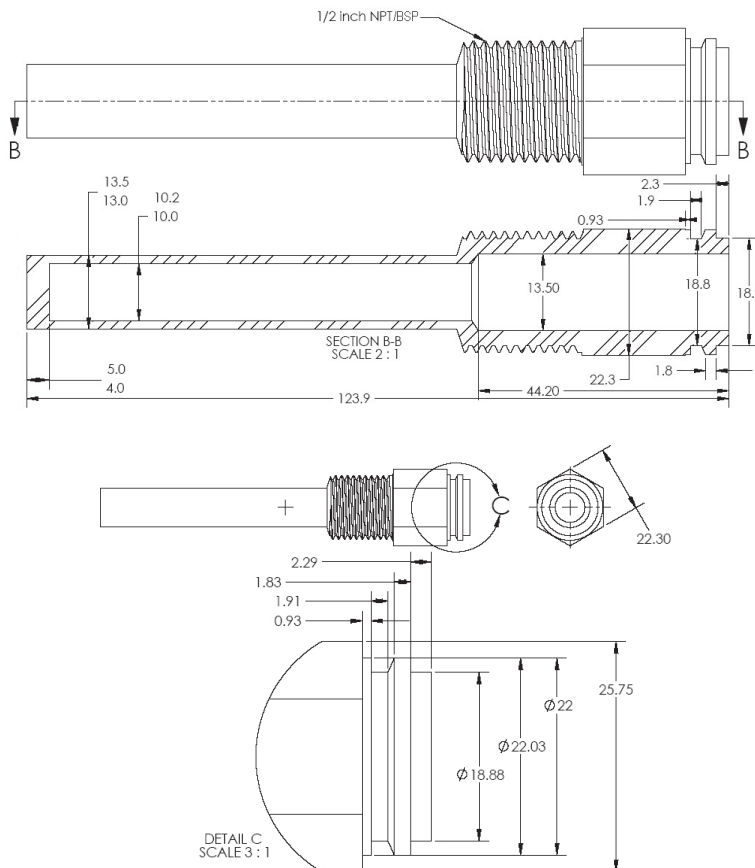


⚙️ Features:

- Three Lengths: 2", 4" and 8"
- Stainless Steel (304) or Brass
- Two Part (Welded) or Machined Construction
- Other Lengths or Materials Available Upon Request
- Limited Lifetime Warranty

⚙️ Dimension:

Honeywell 10mm Capillary Tube Type:

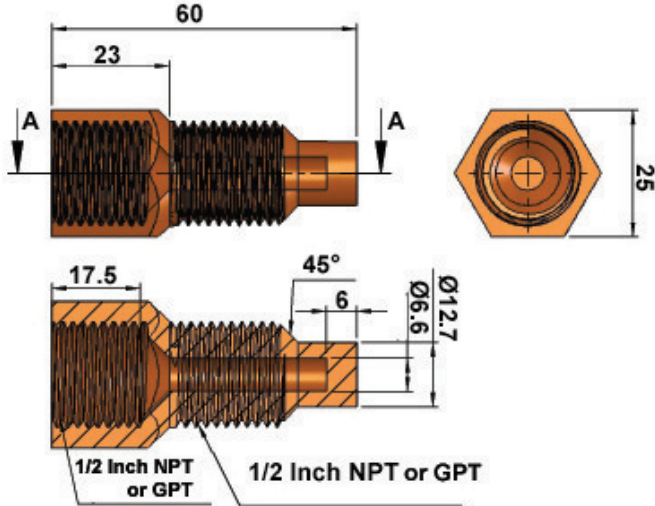


Brass and Stainless Steel Thermowell

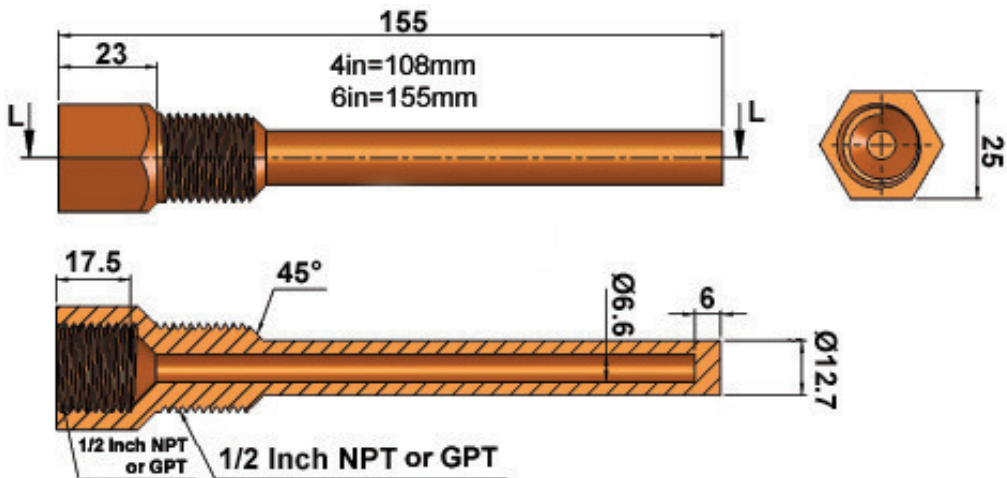
Dimension:

DDC Type:

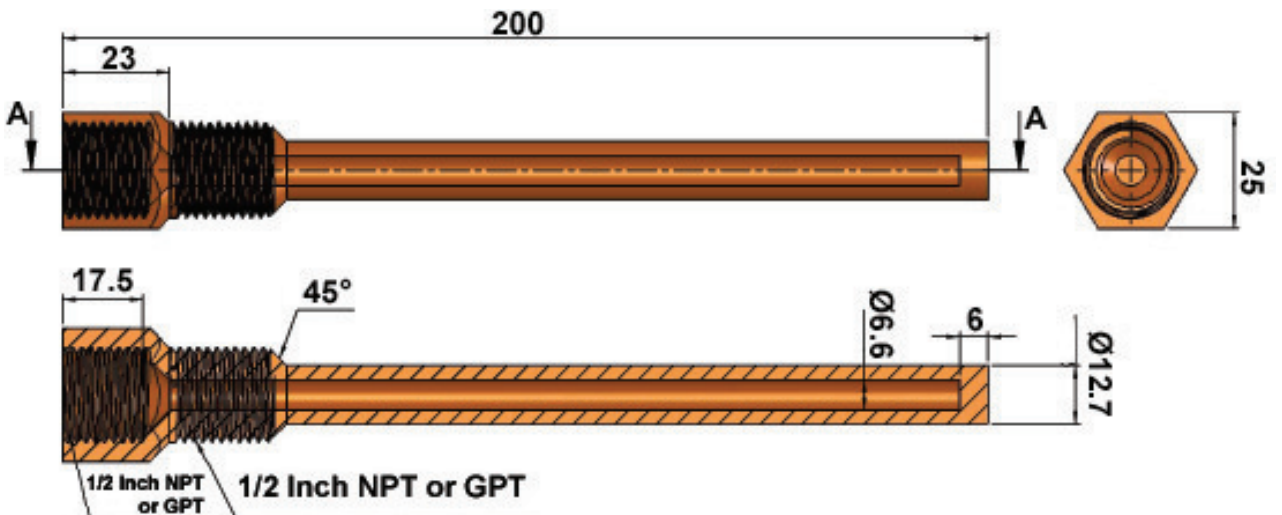
2 inch Dimensions (mm):



4 inch & 6 inch Dimensions (mm):



8 inch Dimensions (mm):



Brass and Stainless Steel Thermowell

HOW TO ORDER

Description: WL

WL Thermo Well

Description: H

H Honeywell Type * DDC Type

Description: B

B Brass Type S Stainless Steel Type

Thread: N

<p>N 1/2" NPT Thread Type National Pipe Thread, US standard for tapered thread</p>	<p>B 1/2" BSP Thread Type British Standard Pipe Thread</p>
--	--

Probe Size: 4

4 4 inch probe B 6 inch probe

Ordering Example: WL - H- B - N - 4