

ALL STAINLESS STEEL "U" TYPE SYPHON

Application:

Syphons are used mainly to protect pressure instruments, gauges, switches and transmitters directly coming in contact with high temperature process fluids or vapours. Filled with Condensation fluids, these are mounted between process and pressure instrument. They reduce process Pulsation, act as heat dispenser and generate cooling effect to save Instrument from working at dangerous temperature.

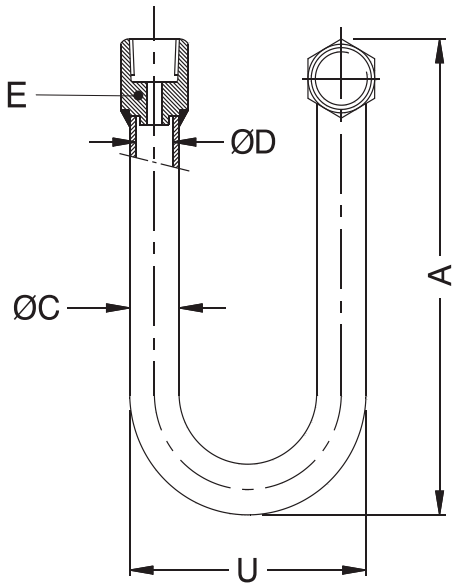
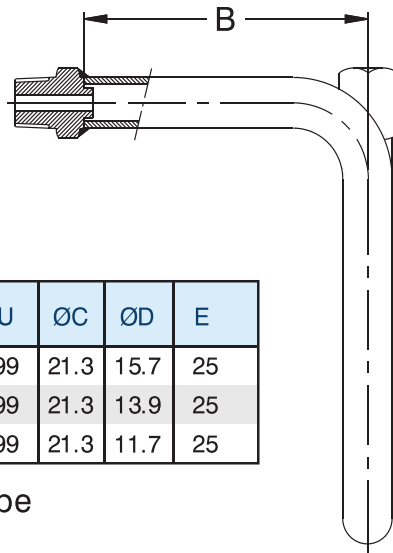


Specifications:

- Material : AISI 316 Stainless Steel
- Pipe Size : Schedule 40 *
- Operating Pressure
- Carbon steel : 150 kg/cm at 430°C max
- Stainless steel : 135 kg/cm at 450°C max

Dimensions:

"U" Type



Pipe size	A	B	U	ØC	ØD	E
1/2" Sch. 40	180	155	99	21.3	15.7	25
1/2" Sch. 80	180	155	99	21.3	13.9	25
1/2" Sch. 160	180	155	99	21.3	11.7	25

"U" Type



ALL STAINLESS STEEL "U" TYPE SYPHON

HOW TO ORDER

⚙️ TYPE:

SY3 'U' TYPE

SY3

⚙️ MATERIAL OF CONSTRUCTION:

TN Carbon Steel TM AISI 316 SS TK AISI 304 SS TL AISI 316L SS
 IY Mild Steel With Chrome Plating

TM

⚙️ CONNECTION:

06BMF	1/4" BSP (M x F)	06BMM	1/4" BSP (M x M)	06BFF	1/4" BSP (F x F)
06NMF	1/4" NPT (M x F)	06NMM	1/4" NPT (M x M)	06NFF	1/4" NPT (F x F)
10BMF	3/8" BSP (M x F)	10BMM	3/8" BSP (M x M)	10BFF	3/8" BSP (F x F)
10NMF	3/8" NPT (M x F)	10NMM	3/8" NPT (M x M)	10NFF	3/8" NPT (F x F)
15BMF	1/2" BSP (M x F)	15BMM	1/2" BSP (M x M)	15BFF	1/2" BSP (F x F)
15NMF	1/2" NPT (M x F)	15NMM	1/2" NPT (M x M)	15NFF	1/2" NPT (F x F)

06BMF

⚙️ OPTIONS:

S80 1/2" Schedule 80 Pipe S160 1/2" Schedule 160 Pipe PV With IBR Approval
 MU Swivel Female Connection MV Adaptor For Male Threading

PV

Ordering Example: SY3 - TM - 06BMF - PV