

SCREWED FLUSH TYPE DIAPHRAGM SEAL

Special Features:

- One Piece Construction
- No Bolts/Gasket
- Flush Diaphragm

Applications:

Diaphragm seals are provided in the instruments like pressure Gauges, switches, transmitters in order to isolate the sensing element from the Main service due to its corrosive, viscous and sedimented nature and to avoid clogging And solidification. These seals are used in applications where the process media & Pulsation may adversely affect gauge life typically used in spray painting, waste water Treatment & chlorination plant etc



Specifications:

Standard Version

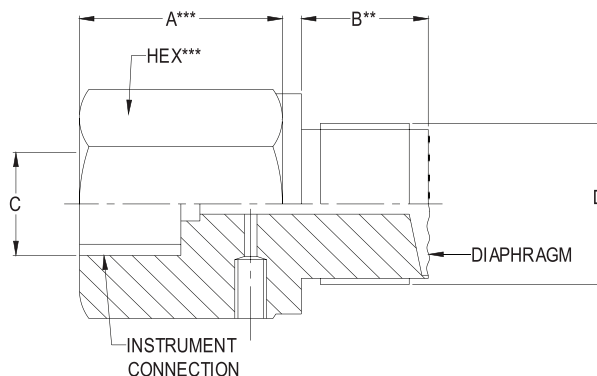
- Pressure Range : 4 kg/cm² to 250 kg/cm²
- Process temperature : -40°C to 200°C or as per fill fluid
- Instrument Connection : 1/4" BSP (F)
- Process Connection : 3/4" BSP (M)



- Diaphragm : AISI 316L SS
- Seal Chamber : AISI 316 SS
- Fill Fluid : Silicon Oil - DC 200

Dimensions:

A***	B**	C	D*	HEX***
18	20	1/4" BSP(F)	3/4" BSP(M)	32



* FROM 3/4" BSP to 1.5" BSP
 ** TO SUIT PROCESS CONNECTION
 *** As Per Thread Size

Notes : • Drawings are not to scale. • All Dimensions are in mm.



SCREWED FLUSH TYPE DIAPHRAGM SEAL

HOW TO ORDER

⚙️ OPTIONS:

SSF

FOR NON STANDARD PRODUCTS/OPTIONAL ITEMS, PLEASE CONTACT FACTORY FOR DELIVERY AND MINIMUM QUANTITY OF ORDER

⚙️ CHAMBER:

S6L

S6L AISI 316L SS

S6 AISI 316 SS

HC HASTELLOY 'C'

⚙️ DIAPHRAGM:

HC

S6L AISI 316L SS

HC HASTELLOY 'C'

⚙️ INSTRUMENT CONNECTION:

10B

15B 1/2" BSP(F)

06B 1/4" BSP(F)

06N 1/4" NPT (F)

15N 1/2" NPT (F)

10N 3/8" NPT(F)

10B 3/8 BSP (F)

⚙️ PROCESS CONNECTION:

20B

25N 1" NPT (M)

20N 3/4" NPT (M)

50B 2" BSP (M)

40N 1 1/2 " NPT (M)

25B 1 " BSP (M)

20B 3/4" BSP (M)

50N 2" NPT (M)

40B 1 1/2 " BSP (M)

⚙️ FILLING FLUIDS:

UX

US FLUROLUBE 4.2 (-45 TO 175°C / -49 TO 374°F)

UX SILICON DC 200-10CS (-40 TO 205°C / -40 TO 401°F)

UT FLUROLUBE 6.3 (-40 TO 235°C / -40 TO 455°F)

VB SYL THERM XLT (-75 TO 150°C / -102 TO 302°F)

UU FLUROLUBE FS5 (-40 TO 150°C / -40 TO 302°F)

VC HALOCARBON OIL

UV FLUROLUBE FS5 (-40 TO 150°C / -40 TO 302°F)

⚙️ TYPE:

A1

A0 WITHOUT CAPILLARY

A1 WITH CAPILLARY

⚙️ CAPILLARY:

PE

PE AISI 304 SS

PG AISI 316 SS

