

## CAPSULE TYPE PRESSURE GAUGE

### Special Features:

- Stainless Steel Case & Ring
- Most Suitable For Air & Gaseous Application Measurement From 25 Mbar To 600 Mbar
- Bottom & Back Mounting
- Vacuum & Compound Ranges
- Standard Followed In General EN 837-3



### Applications:

FOOD & BEVERAGES, PHARMACEUTICAL, CONVENTIONAL & NUCLEAR POWER PLANTS, DRAFT MEASUREMENT

### Specifications:

Standard Version: 63mm, 100mm, 125 mm, 150mm

- Accuracy :  $\pm 1.6\%$  of F.S.
- Ambient temperature :  $-25^{\circ}\text{C}$  to  $+65^{\circ}\text{C}$
- Process temperature : Max  $150^{\circ}\text{C}$
- Operating pressure : 75% of the Scale Value



- Case : AISI 304 SS
- Ring : AISI 304 SS, Bayonet Type
- Socket : AISI 316L SS
- Movement : AISI 304 SS
- Joints : Tig Argon Arc Welding
- Capsule : AISI 316 SS (With Laser Welded)

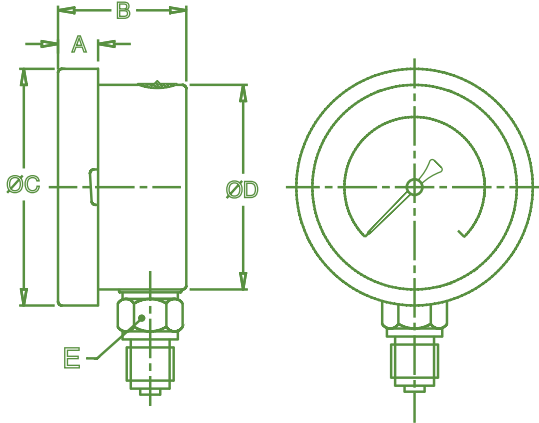


- Over Pressure : 130% F.S.D.
- Protection : IP 55
- Dial : Aluminium, black graduation on white background with zero adjustment provision
- Pointer : Aluminium, black Coloured, Fixed
- Window : Sheet Glass
- Blow off Disc : Neoprene
- Gasket : Neoprene

## CAPSULE TYPE PRESSURE GAUGE

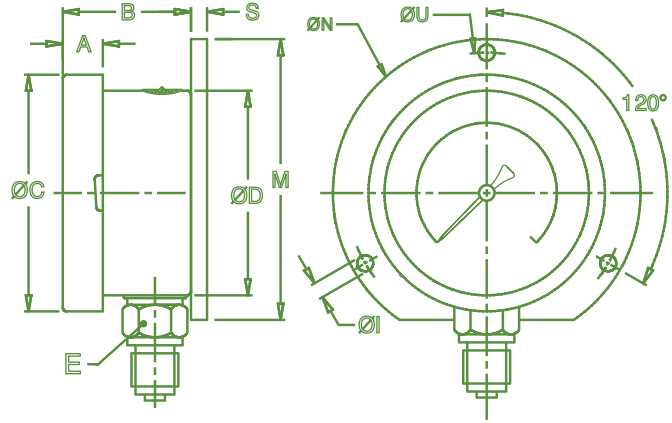
### DIMENSIONS - STANDARD VERSION

#### ⚙️ Type 1



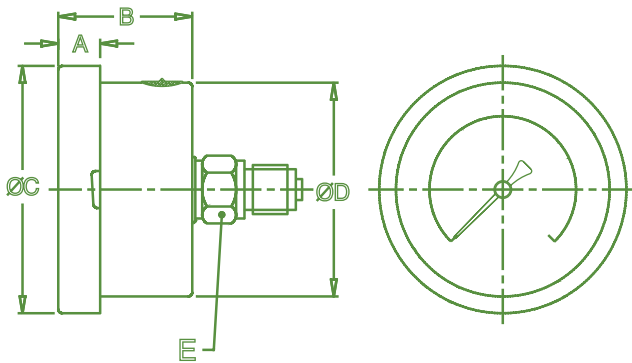
NS	A	B	ØC	ØD	E
63	80	46	77	66.5	A/F 14

#### ⚙️ Type 2



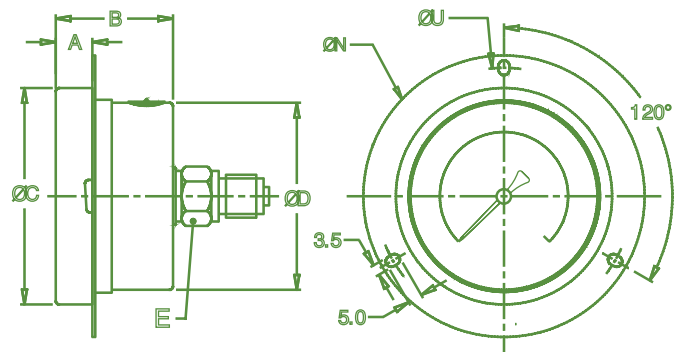
NS	A	B	ØC	ØD	E	S	ØN	ØI	ØU	M
63	12.5	46	77	66.5	A/F 14	5	88	5	76	80

#### ⚙️ Type 4



NS	A	B	ØC	ØD	E
63	12.5	46	77	66.5	A/F 14

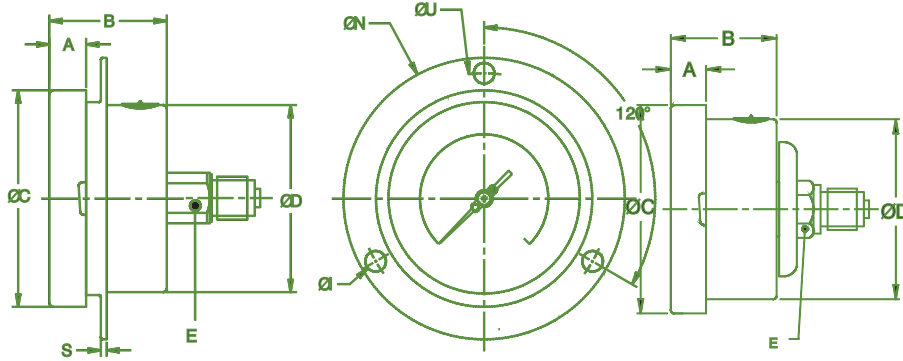
#### ⚙️ Type 5



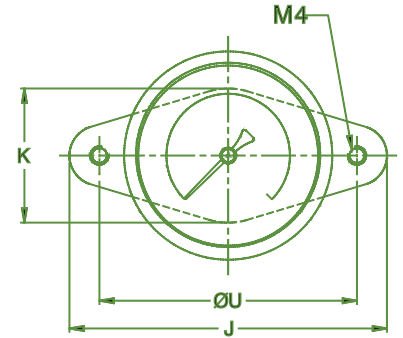
NS	A	B	ØC	ØD	E	ØN	ØU
63	12.5	46	77	66.5	A/F 14	85.5	76

## CAPSULE TYPE PRESSURE GAUGE

### ⚙️ Type 5



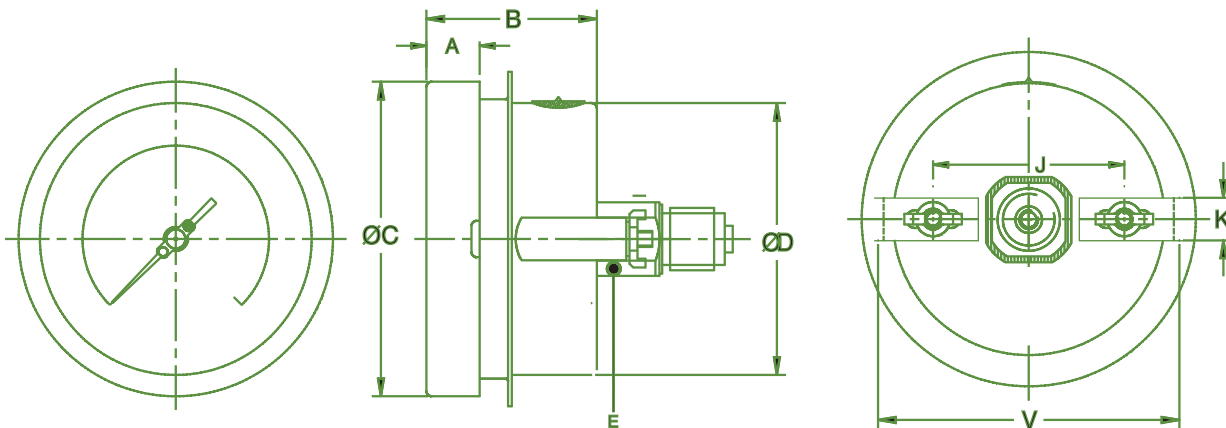
### ⚙️ Type 9



NS	A	B	ØC	ØD	E	S	ØI	ØN	ØU
100	12.5	48	110	100	22	1	6	134	118
125	11	48	131	119	22	5	6	152	138
150	15	49	161	149	22	5	6	186	168

NS	A	B	ØC	ØD	E	J	K	ØU
63	12.5	46	77	<b>66.5</b>	A/F 14	91	38	70.5

### ⚙️ Type 8



NS	A	B	ØC	ØD	E	J	K	V
100	12.5	48	110	100	22	66.5	16	106
125	11	48	131	119	22	80	16	129.5
150	15	49	161	149	22	103.5	16	158

## CAPSULE TYPE PRESSURE GAUGE

### RANGE TABLE

Note : Omicron offers National / International Scales like mbar, Pa, kPa, inWC, MWC, inHg, mmHg & Dual Scale or Equivalent scales as per the requirement can be provided on request. Following are the example tables for mmWC scales.

#### Pressure:

##### SINGLE SCALE - mmWC

RANGE	RANGE	RANGE	RANGE	RANGE
0/250	0/600	0/1600	0/2500	0/6000
0/400	0/1000	0/2000	0/4000	

#### Vacuum & Compound:

##### SINGLE SCALE - mmWC

RANGE	RANGE	RANGE	RANGE	RANGE
- 250/0	- 600/0	- 1600/0	- 2500/0	- 6000/0
- 400/0	- 1000/0	- 2000/0	- 4000/0	

##### SINGLE SCALE - mmWC

RANGE	RANGE	RANGE	RANGE	RANGE
- 100/150	- 200/400	- 600/1000	- 100/1500	- 2000/4000
- 150/250	- 400/600	- 800/1200	- 1500/2500	

## CAPSULE TYPE PRESSURE GAUGE

### HOW TO ORDER

#### Basic Model:

PGCG

CODE	B	C	D
Nominal Size(mm)	63	100	150

B

#### Type Of Mounting:

2

1. Direct Bottom Entry
2. Wall / Surface / Projection Mounting With Bottom Entry
3. Direct Lower Back Entry (Not For Ns 63mm)
4. Direct Center Back Entry
5. Flush Panel Back Entry With Front Flange
8. Back Entry With Mounting Bracket

#### Gauge Connection:

10N

03B	1/8" BSP (M)	06BT	1/4" BSPT (M)
03N	1/8" NPT (M)	10B	3/8" BSP (M) STANDARD
06B	1/4" BSP (M)	10BT	3/8" BSPT (M)
06N	1/4" NPT (M)	10N	3/8" NPT (M)
15N	1/2" NPT (M) STANDARD	M16	M 16 X 1.5 (M)
15B	1/2" BSP (M) STANDARD	M20	M 20 X 1.5 (M)
15BT	1/2" BSPT (M)		
M12	M 12 X 1 (M)		

Note : Connections like PT/PF/Flaired /UNF/G/R etc.can be provided on request.  
Non standard connections can be provided through adaptors.

#### Range:

0-600  
mmWC

Refer tables

#### Options:

OA

OA	Optional Accuracy $\pm$ 1.0% Of F.S. (Except With Option Dampening Liquid Maximum Reading Pointer)		
5M	AISI 304 SS Movement	GD	Glow In The Dark Design Dial
SC	AISI 316 SS Case & Ring	DD	Custom Designed Dial
ST	SS Tag Plate	LM	Dampening Liquid Mineral Liquid Filled
SD	Dampening Screw	LF	Dampening Liquid Flourolube Filled
EF	Enclosure Protection IP 66	LO	Dampening Liquid Glycerine Filled
OF	Plexi Glass	LS	Dampening Liquid Silicon Oil Filled*
GS	Shatterproof / Safety Glass	DT	Dial Tag Marking
GT	Toughened Glass	FP	Five Point Factory Calibration Certificate
RF	Freon Range (With Temperature Scale)	OR	Over Range Protection 150% Of F.S.
RA	Ammonia Range (With Temperature Scale)		
RO	Oxygen Service (Without Option Dampening Liquid)		
SI	Knife Edge Pointer		
SJ	Maximum Reading Pointer		

FOR NON STANDARD PRODUCTS/OPTIONAL ITEMS, PLEASE CONTACT FACTORY FOR DELIVERY AND MINIMUM QUANTITY OF ORDER.

Ordering Example : PGCG - H - 2 - 10N - 0/600mmWC - OA

Note : Due to continuous improvement, the specification may vary from time to time.