

## DOUBLE DIAPHRAGM TYPE DIFFERENTIAL PRESSURE GAUGE

### Special Features:

- Case & Measuring System In SS
- Static Pressure Upto 200 Kg/Cm<sup>2</sup>
- Single Side Static Pressure Sustainable
- Dry Or Liquid Filled
- Accuracy Upto 1.6% F.S.
- Standard Followed In General EN 837 - 3



### Applications:

Chemicals / Refinery / Nuclear / Aerospace / Fertilizer / Petrochemicals / Pharmaceutical / Power / Cement / Sugar / Food & Beverages / Pulp / Paper & Allied Process Industries.

### Specifications:

Standard Version: 100mm, 150mm

- Accuracy :  $\pm 1.6\%$  of F.S.
- Ambient temperature : - 25 °C to + 65 °C
- Process temperature : Max 100 °C
- Static Pressure : 100 kg/cm<sup>2</sup> Above ranges 6000 mmWC  
40 kg/cm<sup>2</sup> upto ranges 6000 mmWC



- Case : AISI 304 SS
- Ring : AISI 304 SS Bayonet Type
- Diaphragm : AISI 316L SS (Double Diaphragm)
- Nuts & Bolts : AISI 304 SS
- Purging Port Plug : 2 x 1/4" NPT(F) AISI 304 SS
- Chamber : AISI 304 Stainless Steel
- Movement : AISI 304 Stainless Steel With Internal Limits  
Stops for Min. & Max. Pressure



- Protection : AISI 304 SS
- Dial : Aluminium, black graduation on white background
- Pointer : Aluminium, black Coloured, Micrometer  
Zero Adjustable
- Window : Shatter proof / Safety Glass
- Case Gasket : Neoprene
- Element Chamber Filling : Silicon Oil (Others as Optional)
- Diaphragm Sealing Gasket : Viton
- Scale Amplitude : 180 to 270 (Depends on Range)

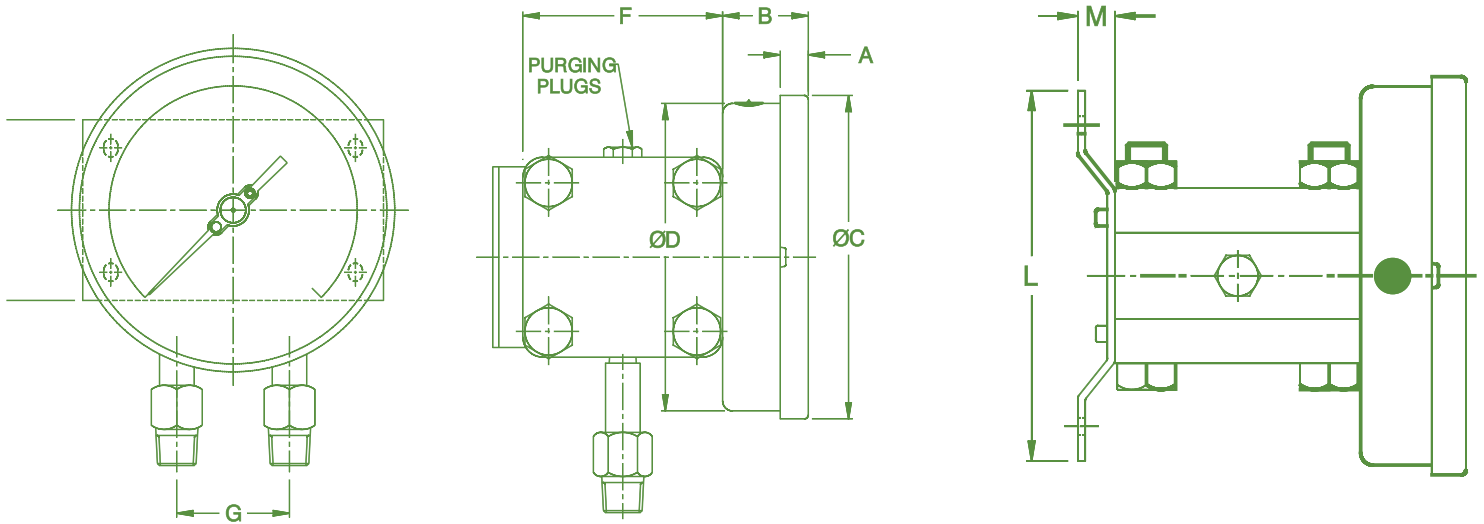
Temperature Error : When temperature of the pressure element deviates from +20 °C  
 Rising temperature: +0,6%/10 °C of true scale value  
 Falling temperature: - 0,6%/10 °C of true scale value



## DOUBLE DIAPHRAGM TYPE DIFFERENTIAL PRESSURE GAUGE

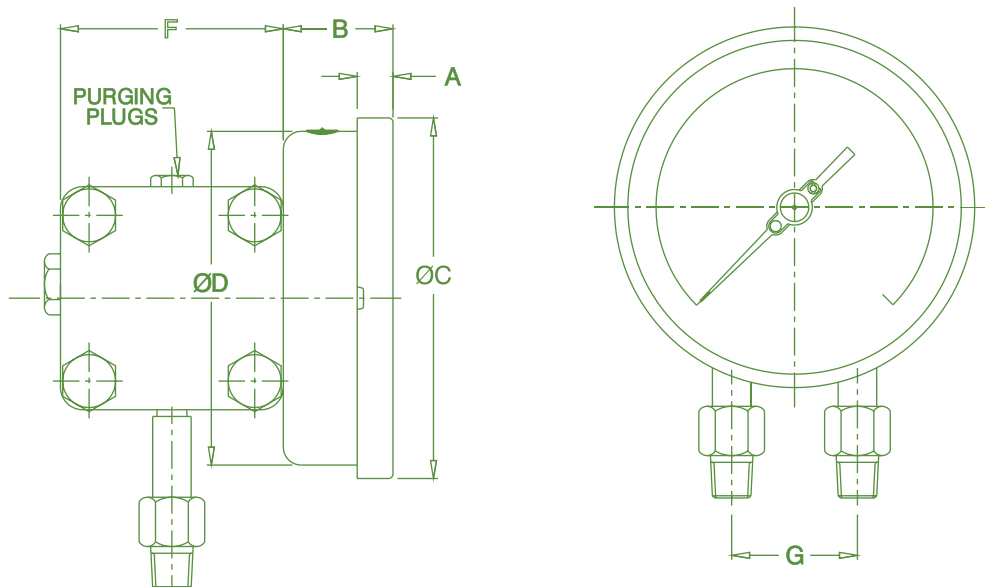
### DIMENSIONS - STANDARD VERSION

#### ⚙️ Type 1



NS	A	B	ØC	ØD	F	G	M	L	P
100	125	48	110	100	99	50	16.5	149	90
150	15	49	161	149	99	50	16.5	149	90

#### ⚙️ Type 2

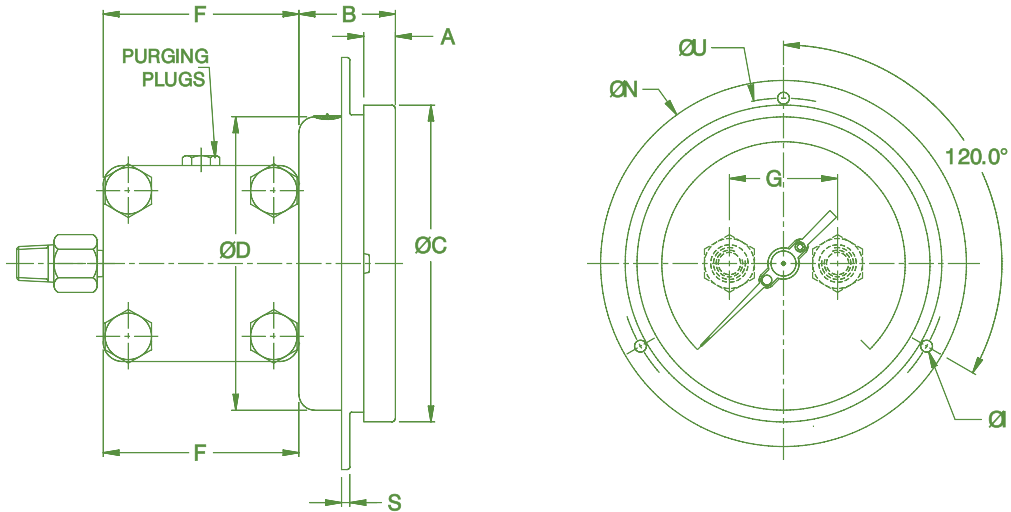


NS	A	B	ØC	ØD	F	G
100	12.5	48	110	100	99	50
150	15	49	161	149	99	50

## DOUBLE DIAPHRAGM TYPE DIFFERENTIAL PRESSURE GAUGE

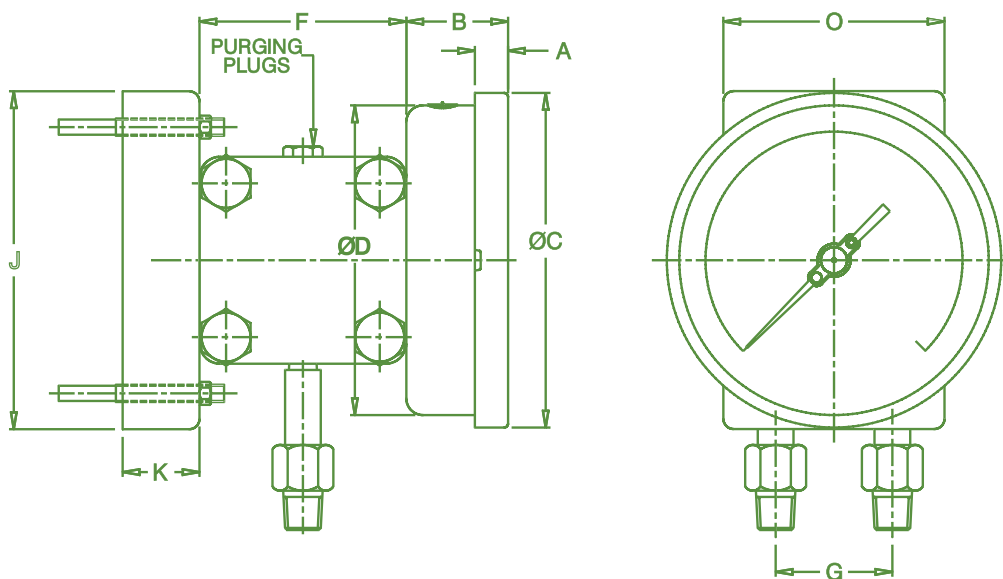
### DIMENSIONS - STANDARD VERSION

#### ⚙️ Type 5



NS	A	B	$\varnothing C$	$\varnothing D$	S	$\varnothing$	$\varnothing N$	$\varnothing U$	F	F
100	125	48	110	100	1	6	134	118	99	50
150	15	49	161	149	5	6	186	168	99	50

#### ⚙️ Type 6



NS	A	B	$\varnothing C$	$\varnothing D$	F	G	J	K	O
100	125	48	110	100	99	50	164	37	105
150	15	49	161	149	99	50	164	37	105

## DOUBLE DIAPHRAGM TYPE DIFFERENTIAL PRESSURE GAUGE

### RANGE TABLE

Note : Omicron offers National / International Scales like kPa, MPa, bar, psi, kg/cm<sup>2</sup>, mbar, MWC, inWC & Dual Scale like kPa with psi, kPa with bar, bar with psi or Equivalent scales as per the requirement can be provided on request. Scales for floor are also available.

Following are the example tables for kg/cm<sup>2</sup> & mmWC

#### Pressure Range:

##### SINGLE SCALE

mmWC	mmWC	mmWC	kg/cm <sup>2</sup>	kg/cm <sup>2</sup>	kg/cm <sup>2</sup>
0/250	0/1000	0/4000	0/1	0/2.5	0/10
0/600	0/1600	0/6000	0/1.6	0/4	0/16
0/1	0/2500		0/2	0/6	0/25

Note : Other Scale are available on customer request.

### HOW TO ORDER

#### Basic Model:

PDSS

CODE	F	H	H
Nominal Size(mm)	100	150	

#### Type Of Mounting:

2

1. Surface Mounting With Bottom Entry
2. Direct Bottom Entry
5. Flush Panel Back Entry with Front Flange
6. 2" Pipe / Yoke Mounting Bottom Entry

#### Gauge Connection:

6NF

6NF	1/4" NPT (F) X 2 NOS. STANDARD)	15B	1/2" BSP (M) X 2 NOS.
10B	3/8" BSP (M) X 2 NOS.	06N	1/4" NPT (M) X 2 NOS.
15N	1/2" NPT (M) (STANDARD)		

Note : Connections like PT/PF/Flaired /UNF/G/R etc.can be provided on request.  
Non standard connections can be provided through adaptors.

## DOUBLE DIAPHRAGM TYPE DIFFERENTIAL PRESSURE GAUGE

### Range:

0-2  
kg/cm

Refer tables

### Options:

PW

PS	AISI 316 SS CASE & BEZEL
PW	FIVE POINT CALIBRATION CERTIFICATE BY DAMPENING LIQUID GLYCERINE
QA	DAMPENING LIQUID SILICON OIL (GASKET & FILLING PLUG OF NBR / VITON) RB DIAPHRAGM CHAMBER IN AISI SS 316
RD	DIAPHRAGM CHAMBER IN MONEL (WITH MONEL DIAPHRAGM) RF DIAPHRAGM IN MONEL
YR	STATIC PRESSURE UPTO 200 Kg/cm <sup>2</sup>
RX	SHATTERPROOF / SAFETY GLASS RZ TOUGHENED GLASS
RH	CUSTOM DESIGNED DIAL RW PLEXI GLASS
SW	DIAL TAG MARKING SX SS TAG PLATE
TF	TESTED TO NACE STANDARDS

FOR NON STANDARD PRODUCTS/OPTIONAL ITEMS, PLEASE CONTACT FACTORY FOR DELIVERY AND MINIMUM QUANTITY OF ORDER

Note : For static Pressure above 200 Kg/cm<sup>2</sup> Please Consult Factory.

A) MAGNETIC SNAP ACTION TYPE (230 V AC 1Amp.)  
(48 V DC 0.5Amp.)  
AVAILABLE ONLY ABOVE 6000 mmWC

B) INDUCTIVE TYPE (220 V AC 0.4Amp.)  
AVAILABLE ONLY ABOVE 400 mmWC

RJ	Single; NORMALLY CLOSED
RK	Double; NORMALLY CLOSED + NORMALLY OPEN
RL	Single; NORMALLY OPEN
RM	Double; NORMALLY OPEN + NORMALLY CLOSED
RN	Double; NORMALLY CLOSED
RO	Double; NORMALLY OPEN
RU	BOOSTER FOR CURRENT UPTO 5Amp
RA	SPDT
RC	DPDT

YW	Single; NORMALLY CLOSED
YV	Double; NORMALLY CLOSED + NORMALLY OPEN
YX	Single; NORMALLY OPEN
YY	Double; NORMALLY OPEN + NORMALLY CLOSED
YZ	Double; NORMALLY CLOSED
ZA	Double; NORMALLY OPEN

### Ordering Example:

PDSS- H - 2 - 6NF - 0/2kg/cm<sup>2</sup> - PW

Note : • Due to continuous improvement, the specification may vary from time to time.