

OUTDOOR AIR TEMPERATURE SENSOR

Features:

- General purpose outdoor air temperature sensor
- Cost efficient design
- Available in threaded PVC version with rugged weatherproof electrical box
- Sturdy construction - all plastic housing with PVC solar shield with optional weatherproof electrical box
- Easy installation - just threads into mounting hole or standard handy box installation
- Fully potted metal housing protects sensing element and provides fast, accurate temperature sensing



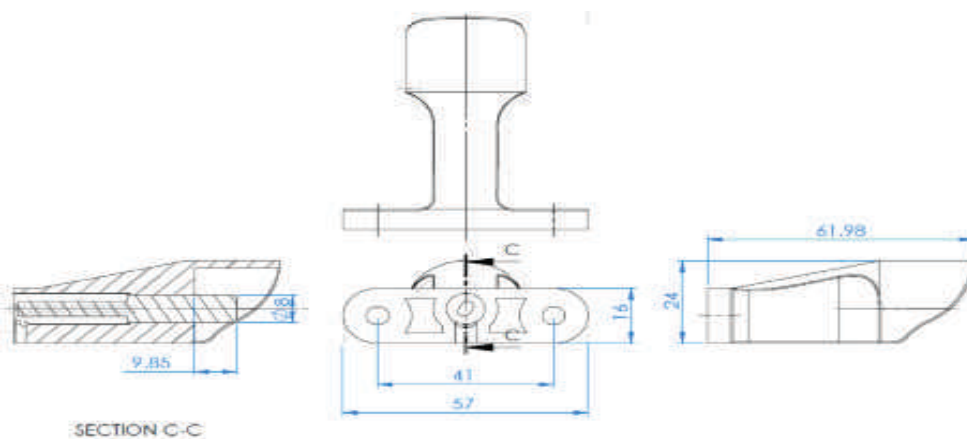
Description:

The temperature sensor is designed to measure outdoor air temperature. The sensor is designed for mounting in a standard 1/2" knock out. The temperature sensor uses a resistance sensor, enclosed in a plastic housing. The sensor has short 20AWG black leads. It is designed for use in residential and commercial building automation controls. It features a fast response, precision sensing element that is totally sealed against the outdoor elements. The PVC sun-shield prevents false readings from direct sunlight. An optional weatherproof electrical box allows for simple installation and provides an extra rugged and reliable sensor for energy management and HVAC applications.

Specification:

Thermistor Accuracy	:	± 0.1°C
Platinum RTD Accuracy	:	± 0.2°C
Thermistor Range	:	-40 ~ 120°C
Platinum RTD Range	:	-200°C to 300°C
Probe Material	:	Stainless Steel
Cable Properties	:	FT4, 80°C, 600V

Dimensions (mm):



OUTDOOR AIR TEMPERATURE SENSOR

HOW TO ORDER

Description: OAT

OAT Outdoor Air Temperature Sensor

ENCLOSURE: P

P Plastic Box

TEMPERATURE CURVE: 7

- | | | |
|-----------------------------------|------------------------------------|----------------------------|
| 2 PT-100 3 Wire | 5 1.8K Ω Thermistor | 6 3k Ω Thermistor |
| 7 10K Ω Thermistor, Type 2 | 9 100K Ω Thermistor | 11 LM334 IC SENSOR |
| 12 PT-1000, 2 Wire | 13 Ni-1000, 2 Wire | 20 20k Ω Thermistor |
| 21 LM335 IC SENSOR | 24 100K Ω Thermistor Type 3 | |

0

Ordering Example: OAT - P - 7