

## Block & Bleed Valve

### Application:

NV4 type gauge is a block and bleed needle pattern gauge valve with specially designed integral bleed. Ideal for use on application requiring bleeding or venting of media. Self centering needle non-rotating, on the valve seat. The conical metal tip (stem type CT) press fitted ensures perfect alignment for positive bubble tight shut-off. Standard connection are male inlet and female outlet or female inlet and female outlet from 1/4" to 3/4".



### Features:

- Installation of instrument and gauge
- Isolation of Instrument.
- Venting of Instrument.
- Liquid and vapor service

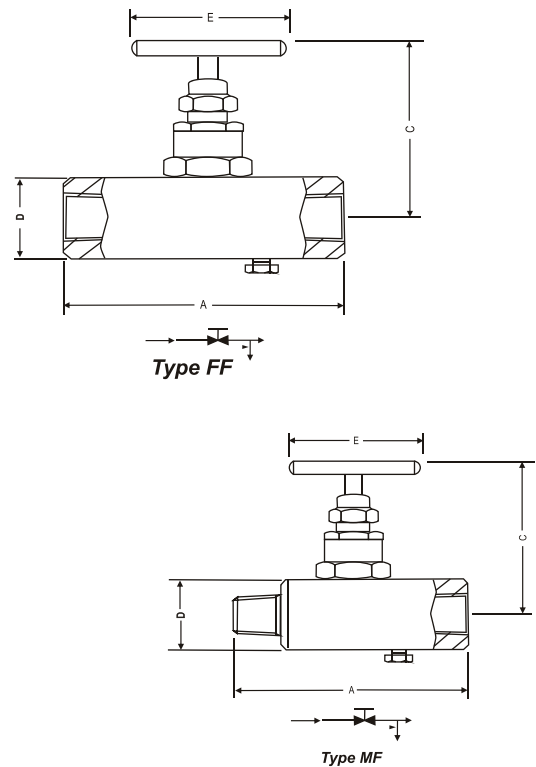
### Specifications:

Pressure	:	400 bar
Max temp.	:	240°C
Material	:	Stainless Steel
Stem	:	(CT) Conical tip press fitted hard chrome plated.
Gland Packing	:	PTFE (Grafoil used for temperature above 240°C to 550°C)
Safety Feature	:	Back seating for Preventing stem blowout

### Dimensions:

Size	Type	Length A	Width D	Ht open C	Ht closed C	Handle E
1/4"	FxF	70	25	63	60.5	40
	MxF	70	25	63	60.5	40
	MxM	75	25	63	60.5	40
3/8"	FxF	70	25	63	60.5	40
	MxF	70	25	63	60.5	40
	MxM	75	25	63	60.5	40
1/2"	FxF	75	32	83.6	79.6	50
	MxF	83	32	83.6	79.6	50
	MxM	88	32	83.6	79.6	50
3/4"	FxF	75	38	86.6	82.6	50
	MxF	83	38	86.6	82.6	50
	MxM	88	38	83.6	79.6	50

All dimensions are in mm.



## Block & Bleed Valve

### HOW TO ORDER

#### ⚙️ BASIC MODEL:

NV4

#### ⚙️ BODY MATERIAL:

C

C Carbon Steel	S SS 316	SL SS 316L
M Monel 400	N Hastelloy C	B Brass

#### ⚙️ STEM PACKING:

P

P PTFE	G Grafoi
--------	----------

#### ⚙️ Size:

24

24 1/4" x 1/4"	33 3/8" x 3/8"
44 1/2" x 1/2"	66 3/4" x 3/4"

#### ⚙️ CONNECTIONS (INLET X OUTLET):

FF

FF Female x Female	MF Male x Female
MM Male x Male	SW = Socket Weld

#### ⚙️ THREADS:

N

N NPT (ANSI B1.20.1.)	P BSPP (BS2779)	S BSPT (BS21)
-----------------------	-----------------	---------------

Ordering Example: NV4 - C - P - 24 - FF - N