

NEEDLE VALVE

Application:

Type miniature compact design needle valves are ideal for bubble tight shut-off in applications where space is at a premium. The mini series are available with metal to metal low torque seating (Stem Type YS). Available with end connections in sizes 1/8" to 1/4" and as pipe connections.



Features:

- Instrument air lines
- Control panels
- Air header assemblies
- Gas sampling
- Laboratory equipment
- Instrument isolation
- Control loops
- Gas and liquid service

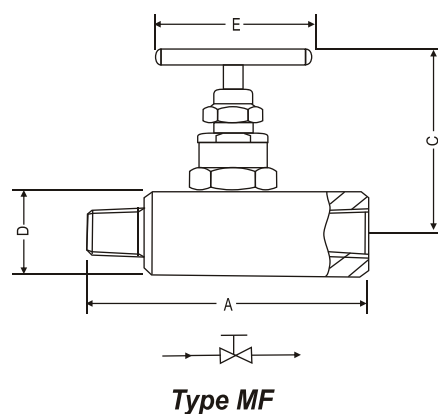
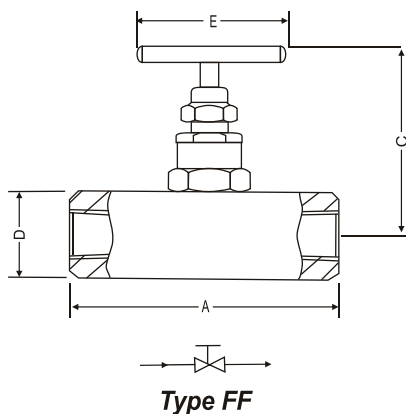
Specifications:

Pressure	:	200 bar
Max temp.	:	240°C
Gland Packing	:	PTFE
Gland Packing	:	Burnished mirror finish for smooth valve operation
Safety Feature	:	Back seating for preventing stem blowout
Feature	:	Metal to metal seating Material Stainless Steel

Dimensions:

Size	Type	Length A	Width D	Ht open C	Ht closed C	Handle E
1/8"	FxF	50	22	56	54	40
	MxF	56	22	56	54	40
	MxM	60	22	56	54	40
1/4"	FxF	55	22	56	54	40
	MxF	65	22	56	54	40
	MxM	60	22	56	54	40

All dimensions are in mm



NEEDLE VALVE

HOW TO ORDER

BASIC MODEL:

NV3

BODY MATERIAL:

S

S SS 316

SL SS 316L

B Brass



SIZE OF CONNECTION:

Pⁿ

P PTFE



Size = P x P1:

FF

FF Female x Female

MF Male x Female

MM Male x Male



THREADS:

N

N NPT (ANSI B1.20.1.)

P BSPP (BS2779)

S BSPT (BS21)



Ordering Example: NV3 - S - P - FF - N