

FLOW SWITCH WITH STAINLESS STEEL WETTED PARTS

Special Features:

- Rugged Construction
- Sealed Bellow type
- Optionally Weatherproof protection of IP66
- Available in Explosion-proof Housing

Applications:

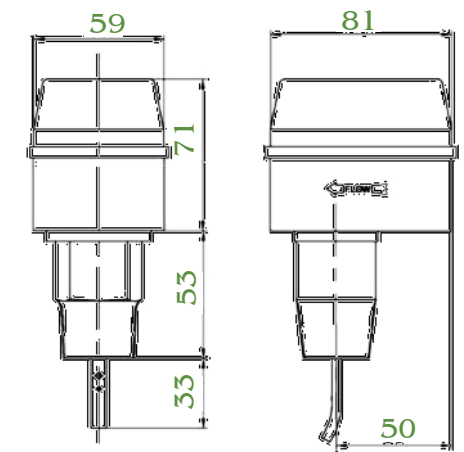
Paddle Type Flow Switches are rugged in construction. Model FSPT is a bellow sealed flow switch. These are used in fluid lines carrying non hazardous liquids like water, chemicals, glycol, ethylene, etc.



Specifications:

Standard Version	: 25NB, 40NB, 50NB, 65NB, 80NB, 100NB, 150NB
Max System Pressure	: 20 bar for Stainless Steel SS316 Bellows
Process Temperature	: -40 to 120°C
Pressure Drop	: <80 mbar at Qmax
Enclosure	: IP66 Weatherproof, Fireproof ABS
Agency Approval	: CE

Dimensions :



Mounting Position :

