

## LOW COST DIGITAL DIFFERENTIAL PRESSURE GAUGE

### Special Features:

- Mounts in Industry Standard Holes
- 5 Different Units in 1 Gauge
- Die Cast Aluminium Housing
- Indicates Negative, Positive or Differential Pressure
- High Accuracy MEMS Sensor provides 1% Accuracy
- Resists Shocks, Vibration and Over Pressure
- OEM Branding Options Available



### Applications:

The DPG Low Cost Digital Differential Pressure Gauge Is The Industry Standard To Replace Analog Differential Gauges with Pointers. It can Measure Fan and Blower Pressures, Air Velocity, Furnace Draft, Medical Instruments and Pressure Drop across Orifice Plates.

### Performance Specifications:

Pressure Ranges	: Various Ranges Upto 10 kPa
Pressure Limits	: -20" Hg to 15 PSI (Available upto 25 PSI for Ranges above 5kPa)
Media Compatibility	: Air and Non-Combustible, Compatible Gases
Accuracy	: ±1% of F.S
Power Supply	: 15-28V AC/DC; 85 - 265V AC
Temperature Ranges	: -200 F to 1400 F (-7 C to 60 C)
Mounting Orientation	: Diaphragm in Vertical / Horizontal Position
Display	: 3 1/2 Digit 0.8" Red LED
Analog Output	: 0 - 10V DC / 4 - 20mA (Optional)
Relay Contacts	: 2 SPST, 1A @ 30VDC / 0.5A @ 125VAC (Optional)
Communication	: Modbus RS485 RTU ((Optional)
Housing Material	: Die Cast Aluminium Case with Acrylic Plate
Process Connection	: 1/8 ID Tubling, 2 pairs (on left & back side)
Weight	: 340 grams
Protection	: IP65
Function Keys	: Zero, Calibrate, Units, Relay Setting
Accessories	: Three Mounting Screws with 0.5 mtr PVC Tube
Agency Approval	: CE

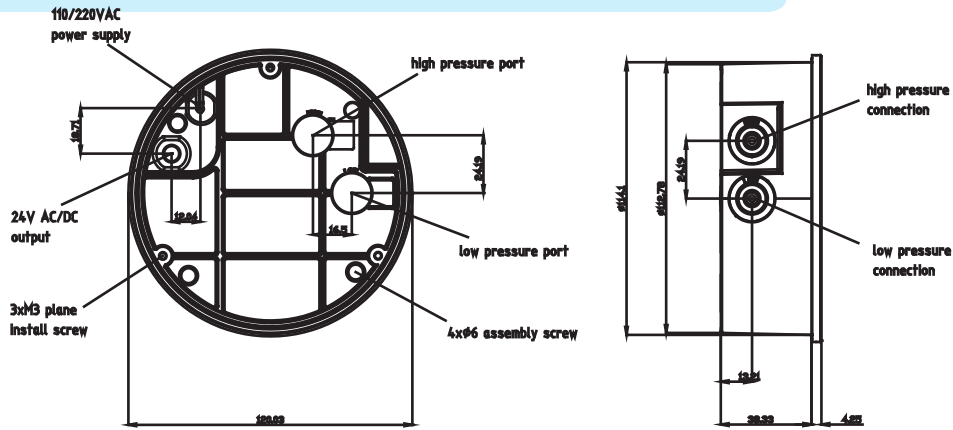
### Standard Ranges:

Code	UNIT & Ranges					
	Pa	Pa	kPa	in w.c.	mm w.c.	mbar
1	0-60	60.00	0.060	0.250	6.000	0.600
2	0-125	125.0	0.125	0.500	12.00	1.250
3	0-250	250.0	0.250	1.000	25.00	2.500
4	0-500	500.0	0.500	2.000	50.00	5.000
5	0-750	750.0	0.750	3.000	75.00	7.500
6	0-1000	1000	1.000	4.000	100.0	10.00
7	0-2000	2000	2.000	8.000	200.0	20.00
8	0-3000	3000	3.000	12.00	300.0	30.00
9	0-5000	5000	5.000	20.00	500.0	50.00
A	0-9999	9999	9.999	40.00	999.9	99.99
X	CUSTOM					

- Note:
1. For zero center models, add "Z" at the end of the model. For example, DPG1\*\*\*Z means -30 - 0 - 30 Pa
  2. Center zero models not available above 1000pa
  3. 5 engineering units can be set by the key and then the related LED will be on

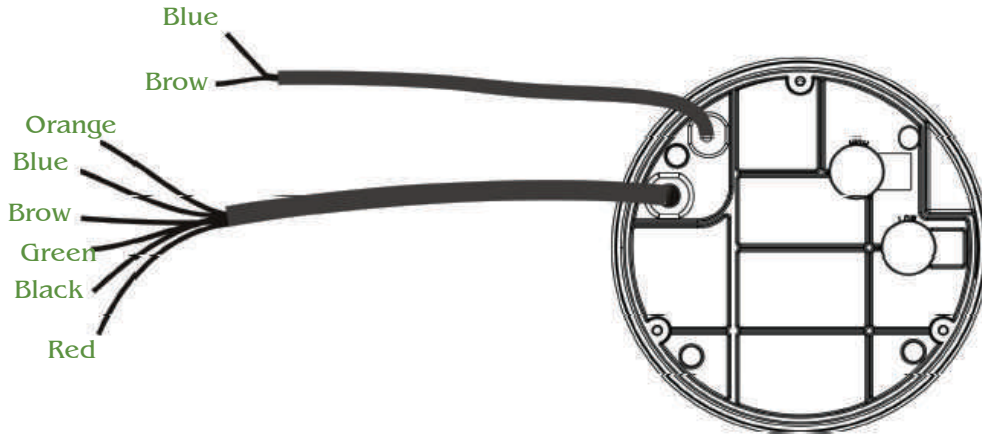
## LOW COST DIGITAL DIFFERENTIAL PRESSURE GAUGE

### Dimensions:



### Wiring Method:

Different models have different electrical connections. Refer to the table as below (x means for any models).



MODELS	Six Cores Cable							Two Cores Cable	
DPGXX00	Cable Color	Red	Black						
	Electrical Signal	+24V	GND						
DPGXX10	Cable Color	Red	Black	Green	Brown	Blue	Orange		
	Electrical Signal	+24V	GND	NO2	COM2	NO1	COM1		
DPGXX01	Cable Color							Brown	Blue
	Electrical Signal							220VAC-L	220VAC-N
DPGXX11	Cable Color			Green	Brown	Blue	Orange	Brown	Blue
	Electrical Signal			NO2	COM2	NO1	COM1	220VAC-L	220VAC-N

LOW COST DIGITAL DIFFERENTIAL PRESSURE GAUGE

HOW TO ORDER

⚙️ Basic Model: DP

⚙️ Output Selection: GT

G No Output, Only Display  
 GT 4 - 20mA / 0 - 10V DC Analog Output GT Communication output  
 (communication protocol to be chosen below)

⚙️ Pressure Range 6

Please Refer to the Pressure Range from the Range Table

⚙️ Relay Contacts: 01

00 NIL  
 01 2 x SPST Contacts

⚙️ Power Supply: 1

0 12 - 28V DC / AC  
 1 85 - 265V ACSSS  
 (not available for DPGT) Modbus RS485 RTU in case of  
 Communication Output

Ordering Example : DPGT6011